
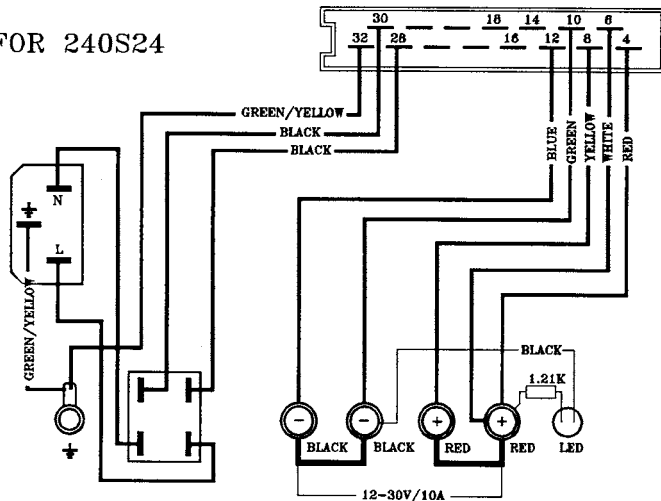
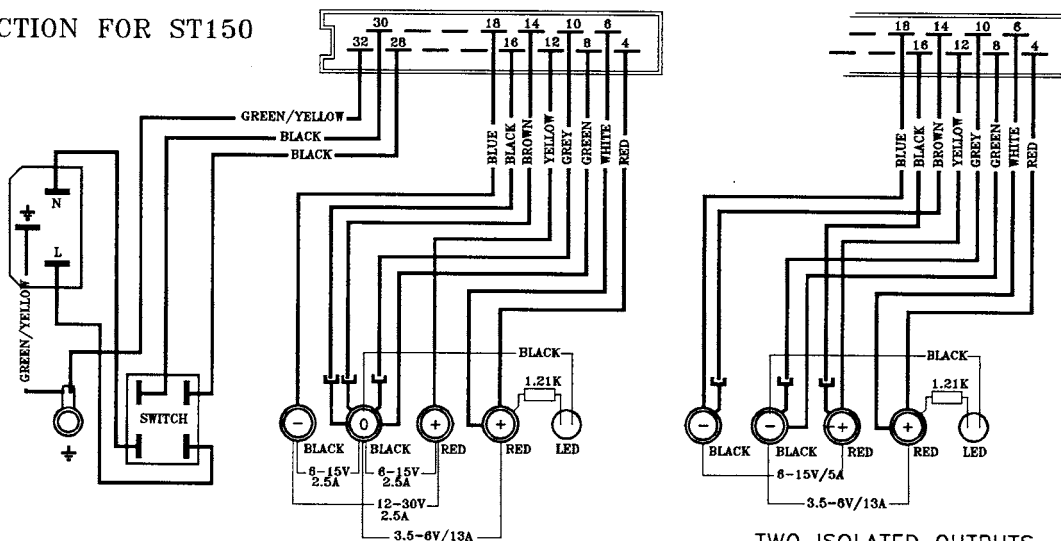


			Title: BA150	
			Date: 10-92	
Modifications	Date	App.	DELTA ELEKTRONIKA BV	

CONNECTION FOR 240S24

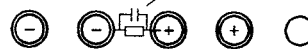


CONNECTION FOR ST150

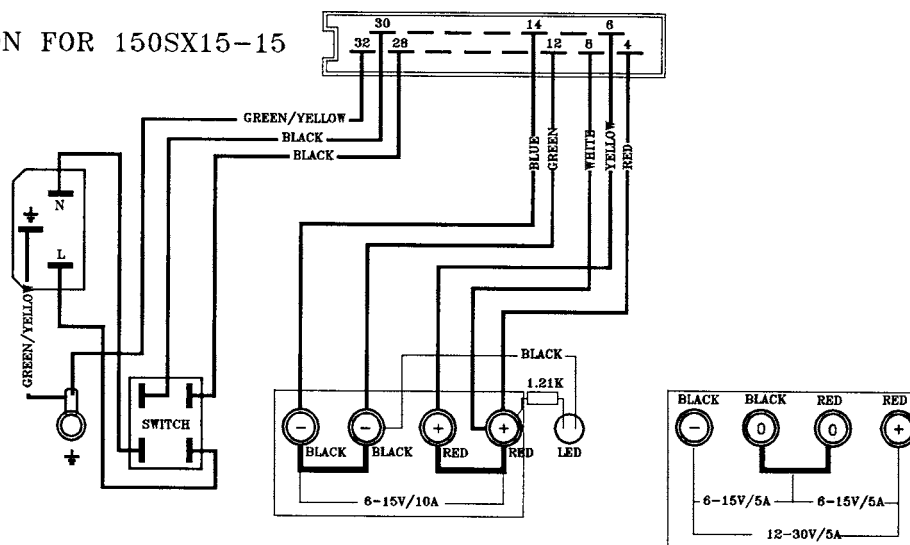


TRIPLEMODE

TWO ISOLATED OUTPUTS
(REMOVE RC FILTER)




CONNECTION FOR 150SX15-15



PARALLELMODE

DUAL OR SERIESMODE

			Title: BA150	
			Date: 10-92	
Modifications	Date	App.	DELTA ELEKTRONIKA BV	

- 15V 5 A	0	+15V 5A	- 15V 5 A	0	+15V 5A
- 12V 5 A	0	+12V 5A	- 12V 5 A	0	+12V 5A
0	+15V 10A		0	+15V 10A	
0	+12V 10A		0	+12V 10A	
0	+12V 10A		0	+12V 10A	
0	+15V 10A		0	+15V 10A	
0	+24V 10A		0	+24V 10A	
- V 5 A	0	+ V 5A	- V 5 A	0	+ V 5A
0	+ V 10A		0	+ V 10A	
- 15V 5 A	0	+15V 5A	- 15V 5 A	0	+15V 5A
- 12V 5 A	0	+12V 5A	- 12V 5 A	0	+12V 5A
0	+15V 10A		0	+15V 10A	
0	+12V 10A		0	+12V 10A	
0	+12V 10A		0	+12V 10A	
0	+15V 10A		0	+15V 10A	
0	+24V 10A		0	+24V 10A	
- V 5 A	0	+ V 5A	- V 5 A	0	+ V 5A
0	+ V 10A		0	+ V 10A	
-	0	+	+		

			Title: LA208	
			150S-SERIES	
			Date: 20-09-92	
Modifications	Date	App.	DELTA ELEKTRONIKA BV	

